

P4SMA SERIES

SURFACE MOUNT TRANSIENT VOLTAGE SUPPRESSOR

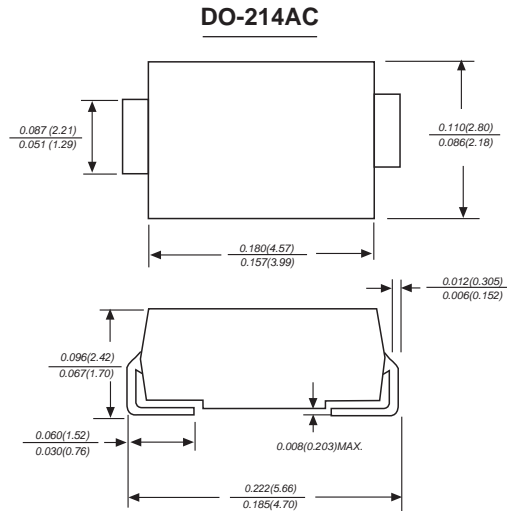
Stand-off Voltage: 6.8 to 200 Volts Peak pulse power: 400 Watts Peak Power

Features

- ✧ For surface mounted application in order to optimize board space
- ✧ Low profile package
- ✧ Built-in strain relief
- ✧ Glass passivated junction
- ✧ Excellent clamping capability
- ✧ Fast response time: Typically less than 1.0ps from 0 volt to BV min.
- ✧ Typical I_R less than $1 \mu A$ above 10V
- ✧ High temperature soldering guaranteed: $260^\circ C / 10$ seconds at terminals
- ✧ Plastic material used carries Underwriters Laboratory Flammability Classification 94V-0
- ✧ 300 watts peak pulse power capability with a 10×1000 us waveform by 0.01% duty cycle

Mechanical Data

- ✧ Case: Molded plastic
- ✧ Terminals: Solder plated
- ✧ Polarity: Indicated by cathode band
- ✧ Standard packaging: 12mm tape (EIA STD RS-481)
- ✧ Weight: 0.058 gram



Dimensions in inches and (millimeters)

Maximum Ratings and Electrical Characteristics

Rating at $25^\circ C$ ambient temperature unless otherwise specified.

Type Number	Symbol	Value	Units
Peak Power Dissipation at $T_A=25^\circ C$, $T_p=1$ ms(Note 1)	P_{PK}	Minimum 400	Watts
Peak Forward Surge Current, 8.3 ms Single Half Sine-wave Superimposed on Rated Load (JEDEC method) (Note 2, 3)	I_{FSM}	40.0	Amps
Maximum Instantaneous Forward Voltage at 25.0A for Unidirectional Only	V_F	3.5	Volts
Operating and Storage Temperature Range	T_J, T_{STG}	-55 to + 150	$^\circ C$

Notes: 1. Non-repetitive Current Pulse Per Fig. 3 and Derated above $T_A=25^\circ C$ Per Fig. 2.

2. Mounted on $5.0mm^2$ (.013 mm Thick) Copper Pads to Each Terminal.

3. 8.3ms Single Half Sine-wave or Equivalent Square Wave, Duty Cycle=4 Pulses Per Minute Maximum.

Devices for Bipolar Applications

1. For Bidirectional Use C or CA Suffix for Types P4SMA 6.8 through Types P4SMA200A.
2. Electrical Characteristics Apply in Both Directions.

ELECTRICAL CHARACTERISTICS (TA=25°C unless otherwise noted)

Device	Device Marking Code	Breakdown Voltage		Test Current @If (mA)	Stand-Off Voltage Vwm (Volts)	Maximum Reverse Leakage at Vwm Id (uA)	Maximum Peak Pulse Current IPPM (Note 2)(Amps)	Maximum Clamping Voltage at IPPM Vc(Volts)	Maximum Temperature Coefficient of VBR(% / °C)
		VBR (Volts) (Note 1)							
		Min	Max						
P4SMA6.8	ADJ	6.12	7.48	10	5.50	1000	38	10.8	0.057
P4SMA6.8A	AEJ	6.46	7.14	10	5.80	1000	40	10.5	0.057
P4SMA7.5	AFJ	6.75	8.25	10	6.05	500	35	11.7	0.061
P4SMA7.5A	AGJ	7.13	7.88	10	6.40	500	37	11.3	0.061
P4SMA8.2	AHJ	7.38	9.02	10	6.63	200	33	12.5	0.065
P4SMA8.2A	AKJ	7.79	8.61	10	7.02	200	34	12.1	0.065
P4SMA9.1	ALJ	8.19	10.0	1.0	7.37	50	30	13.8	0.068
P4SMA9.1A	AMJ	8.65	9.55	1.0	7.78	50	31	13.4	0.068
P4SMA10	ANJ	9.00	11.0	1.0	8.10	10	28	15.0	0.073
P4SMA10A	APJ	9.50	10.5	1.0	8.55	10	29	14.5	0.073
P4SMA11	AQJ	9.90	12.1	1.0	8.92	5.0	26	16.2	0.075
P4SMA11A	ARJ	10.5	11.6	1.0	9.40	5.0	27	15.6	0.075
P4SMA12	ASJ	10.8	13.2	1.0	9.72	5.0	24	17.3	0.078
P4SMA12A	ATJ	11.4	12.6	1.0	10.2	5.0	25	16.7	0.078
P4SMA13	AUJ	11.7	14.3	1.0	10.5	5.0	22	19.0	0.081
P4SMA13A	AVJ	12.4	13.7	1.0	11.1	5.0	23	18.2	0.081
P4SMA15	AWJ	13.5	16.5	1.0	12.1	5.0	19	22.0	0.084
P4SMA15A	AXJ	14.3	15.8	1.0	12.8	5.0	20	21.2	0.084
P4SMA16	AYJ	14.4	17.6	1.0	12.9	5.0	17.8	23.5	0.086
P4SMA16A	AZJ	15.2	16.8	1.0	13.6	5.0	18.6	22.5	0.086
P4SMA18	BDJ	16.2	19.8	1.0	14.5	5.0	16	26.5	0.088
P4SMA18A	BEJ	17.1	18.9	1.0	15.3	5.0	16.5	25.5	0.088
P4SMA20	BFJ	18.0	22.0	1.0	16.2	5.0	14	29.1	0.090
P4SMA20A	BGJ	19.0	21.0	1.0	17.1	5.0	15	27.7	0.090
P4SMA22	BHJ	19.8	24.2	1.0	17.8	5.0	13	31.9	0.092
P4SMA22A	BKJ	20.9	23.1	1.0	18.8	5.0	13.7	30.6	0.092
P4SMA24	BLJ	21.6	26.4	1.0	19.4	5.0	12	34.7	0.094
P4SMA24A	BMJ	22.8	25.2	1.0	20.5	5.0	12.6	33.2	0.094
P4SMA27	BNJ	24.3	29.7	1.0	21.8	5.0	10.7	39.1	0.096
P4SMA27A	BPJ	25.7	28.4	1.0	23.1	5.0	11.0	37.5	0.096
P4SMA30	BQJ	27.0	33.0	1.0	24.3	5.0	9.6	43.5	0.097
P4SMA30A	BRJ	28.5	31.5	1.0	25.6	5.0	10	41.4	0.097
P4SMA33	BSJ	29.7	36.3	1.0	26.8	5.0	8.8	47.7	0.098
P4SMA33A	BTJ	31.4	34.7	1.0	28.2	5.0	9.0	45.7	0.098
P4SMA36	BUJ	32.4	39.6	1.0	29.1	5.0	8.0	52.0	0.099
P4SMA36A	BVJ	34.2	37.8	1.0	30.8	5.0	8.4	49.9	0.099
P4SMA39	BWJ	35.1	42.9	1.0	31.6	5.0	7.4	56.4	0.100
P4SMA39A	BXJ	37.1	41.0	1.0	33.3	5.0	7.7	53.9	0.100
P4SMA43	BYJ	38.7	47.3	1.0	34.8	5.0	6.7	61.9	0.101
P4SMA43A	BZJ	40.9	45.2	1.0	36.8	5.0	7.0	59.3	0.101
P4SMA47	CDJ	42.3	51.7	1.0	38.1	5.0	6.2	67.8	0.101
P4SMA47A	CEJ	44.7	49.4	1.0	40.2	5.0	6.4	64.8	0.101
P4SMA51	CFJ	45.9	56.1	1.0	41.3	5.0	5.7	73.5	0.102
P4SMA51A	CGJ	48.5	53.6	1.0	43.6	5.0	6.0	70.1	0.102
P4SMA56	CHJ	50.4	61.6	1.0	45.4	5.0	5.2	80.5	0.103
P4SMA56A	CKJ	53.2	58.8	1.0	47.8	5.0	5.4	77.0	0.103
P4SMA62	CLJ	55.8	68.2	1.0	50.2	5.0	4.7	89.0	0.104
P4SMA62A	CMJ	58.9	65.1	1.0	53.0	5.0	5.0	85.0	0.104
P4SMA68	CNJ	61.2	74.8	1.0	55.1	5.0	4.2	98.0	0.104
P4SMA68A	CPJ	64.6	71.4	1.0	58.1	5.0	4.5	92.0	0.104
P4SMA75	CQJ	67.5	82.5	1.0	60.7	5.0	3.8	108.0	0.105
P4SMA75A	CRJ	71.3	78.8	1.0	64.1	5.0	4.0	103.0	0.105
P4SMA82	CSJ	73.8	90.2	1.0	66.4	5.0	3.5	118.0	0.105
P4SMA82A	CTJ	77.9	86.1	1.0	70.1	5.0	3.7	113.0	0.105
P4SMA91	CUJ	81.9	100.0	1.0	73.7	5.0	3.2	131.0	0.106
P4SMA91A	CVJ	86.5	95.5	1.0	77.8	5.0	3.3	125.0	0.106

ELECTRICAL CHARACTERISTICS (TA=25°C unless otherwise noted)

Device	Device Marking Code	Breakdown Voltage		Test Current @I _T (mA)	Stand-Off Voltage V _{WM} (Volts)	Maximum Reverse Leakage at V _{WM} I _D (uA)	Maximum Peak Pulse Current I _{PPM} (Note 2)(Amps)	Maximum Clamping Voltage at I _{PPM} V _C (Volts)	Maximum Temperature Coefficient of V _{BR} (% / °C)
		V _{BR} (Volts) (Note 1)							
		Min	Max						
P4SMA100	CWJ	90.0	110.0	1.0	81.0	5.0	2.9	144.0	0.106
P4SMA100A	CXJ	95.0	105.0	1.0	85.5	5.0	3.0	137.0	0.106
P4SMA110	CYJ	99.0	121.0	1.0	89.2	5.0	2.6	158.0	0.107
P4SMA110A	CZJ	105.0	116.0	1.0	94.0	5.0	2.7	152.0	0.107
P4SMA120	RDJ	108.0	132.0	1.0	97.2	5.0	2.4	173.0	0.107
P4SMA120A	REJ	114.0	126.0	1.0	102.0	5.0	2.5	165.0	0.107
P4SMA130	RFJ	117.0	143.0	1.0	105.0	5.0	2.2	187.0	0.107
P4SMA130A	RGJ	124.0	137.0	1.0	111.0	5.0	2.3	179.0	0.107
P4SMA150	RHJ	135.0	165.0	1.0	121.0	5.0	1.9	215.0	0.108
P4SMA150A	RKJ	143.0	158.0	1.0	128.0	5.0	2.0	207.0	0.108
P4SMA160	RLJ	144.0	176.0	1.0	130.0	5.0	1.8	230.0	0.108
P4SMA160A	RMJ	152.0	168.0	1.0	136.0	5.0	1.9	219.0	0.108
P4SMA170	RNJ	153.0	187.0	1.0	138.0	5.0	1.7	244.0	0.108
P4SMA170A	RPJ	162.0	179.0	1.0	145.0	5.0	1.8	234.0	0.108
P4SMA180	RQJ	162.0	198.0	1.0	146.0	5.0	1.6	258.0	0.108
P4SMA180A	RRJ	171.0	189.0	1.0	154.0	5.0	1.7	246.0	0.108
P4SMA200	RSJ	180.0	220.0	1.0	162.0	5.0	1.4	287.0	0.108
P4SMA200A	RTJ	190.0	210.0	1.0	171.0	5.0	1.51	274.0	0.108

Notes:

1. V_{BR} measured after I_T applied for 300us, I_T=square wave pulse or equivalent.
2. Surge current waveform per Figure 3 and derate per Figure 2.
3. For bipolar types having V_{WM} of 10 volts and under, the I_D limit is doubled.
4. For bidirectional use C or CA suffix for types P4SMA6.8 through P4SMA200A.
5. All terms and symbols are consistent with ANSI/IEEE C62.35.

RATINGS AND CHARACTERISTIC CURVES (P4SMA SERIES)

FIG.1- PEAK PULSE POWER RATING CURVE

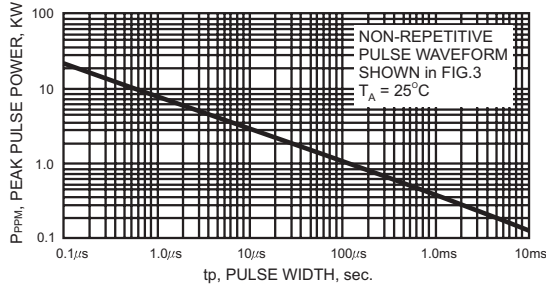


FIG.2- PULSE DERATING CURVE

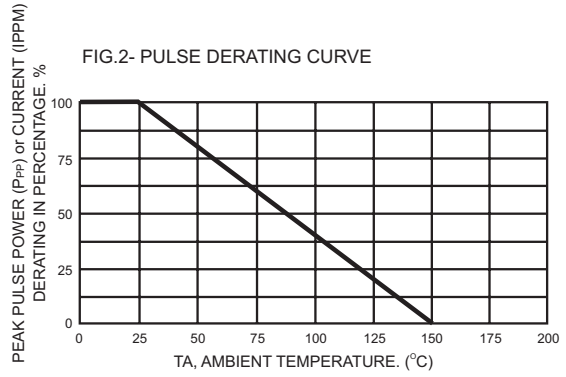


FIG.3- PULSE WAVEFORM

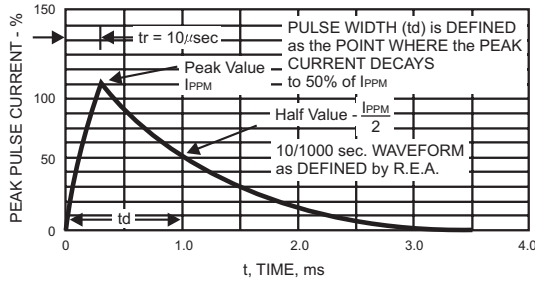


FIG.4- MAXIMUM NON-REPETITIVE FORWARD SURGE CURRENT UNIDIRECTIONAL ONLY

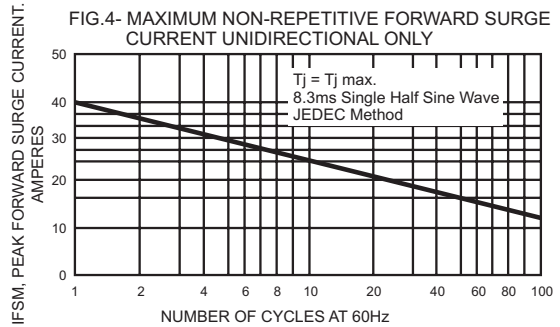


FIG.5- TYPICAL REVERSE LEAKAGE CHARACTERISTICS

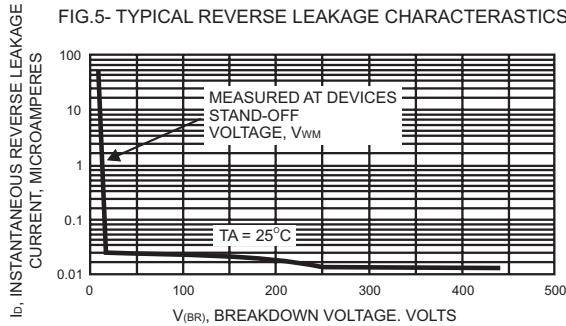


FIG.6- TYPICAL JUNCTION CAPACITANCE UNIDIRECTIONAL

